

Behringer Bulletin:

Date: **March 10, 2017**

Product: CH Height Adjuster

Brand: Behringer

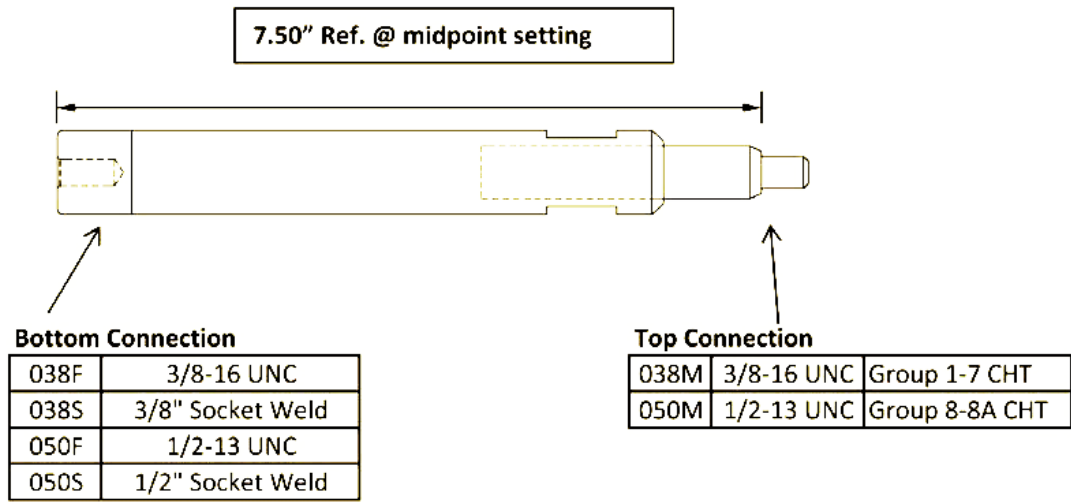
Product Notification:

- Fine tune slope for process lines to achieve full drain-ability
- Adjustment range of up to 1" above and below midpoint setting, providing a total of 2" of travel distance
- Installers will not need to use temporary supports, therefore, reducing installation time
- Components of adjuster are captive so will not come apart
- Economical option in comparison to standard stanchions, where permitted
- Convenient wrench flats for easy field adjustment
- Optional set screw feature also available
- If needed, a simple tack weld will secure the elevation
- Designed to be used with our CHT rounded supports with a threaded connection
- ASME BPE Compliant-No exposed threads, drainable geometry
- Available with a threaded or socket weld connections



Please contact us at sales@behringersystems.com or call (973) 948-0226 for more information





Part Number Configuration

Adjuster Type	-	Bottom Connection	-	Top Connection	-	Material
CHADJ		038F		038M		T=304
		038S		050M		X=316
		050F				
		050S				